

Design: **Technical Emotions**  
Product: **Swing-sofa**  
Sizes: **cm 174x167x238h (69"x66"x94"h)**  
**seat cm 60h (24"h)**  
**(capacity 300kg)**

### FEATURES



**Frame:** 304 stainless steel  
Polyester powder coating (Akzo Nobel), to be fixed on the ground.

**Ropes:** High-strength polyester

**Glides:** Nylon PA6

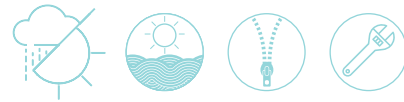
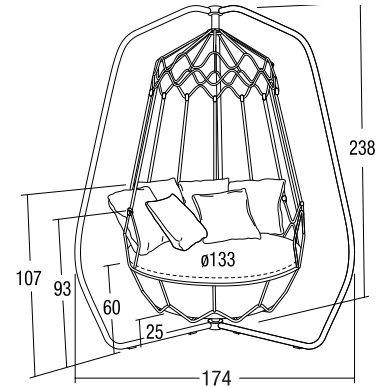
**Finishings:** Champagne, Graphite

**Seat cushion:** Polyurethane foam / polyester fiber  
polyester-pvc / polypropylene canvas

**Back cushion:** Chips in polyester fiber, hollow, silicone coated. Covering fabric in polypropylene, polyester and pvc.

ROBERTI RATTAN SRL disclaims any responsibility for damages caused to persons or properties, originating by an improper and/or insufficient fixing system.

[www.robetirattan.com](http://www.robetirattan.com)



Net weight unit 100

Gross weight 129

Units per package 3

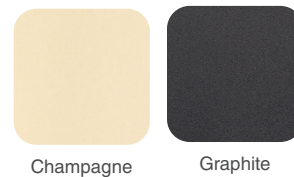
Packages sizes cap cm 96x96x56h  
base cm 136x136x75h  
frame cm 103x242x15h

Packages volume m<sup>3</sup> 2,29

Stackable NO

### FINISHINGS

UV, marine environment, scratch resistant



Champagne

Graphite

### ROPES

UV-resistant



Nautic Rope  
Sand

Nautic Rope  
Black

### FABRICS

Different types of fabrics available in:  
Acrylic - Polypropylene - Polyester - PVC  
See the collection in the catalog and online.